

EURO-WALL, LLC

EURO-PIVOT INSWING AND OUTSWING DOOR (HVHZ) (IMPACT)



EURO-WALL, LLC
P.O. BOX 8007
NORTH PORT, FL 34290
PH: 888-989-3876

GENERAL NOTES:

- THE PRODUCT SHOWN HEREIN IS DESIGNED AND MANUFACTURED TO COMPLY WITH THE CURRENT FLORIDA BUILDING CODE (FBC), **INCLUDING** HVHZ AND HAS BEEN EVALUATED ACCORDING TO THE FOLLOWING:
 - TAS 201-94
 - TAS 202-94
 - TAS 203-94
- ADEQUACY OF THE EXISTING STRUCTURAL CONCRETE/MASONRY, 2X AND METAL STUD FRAMING AS A MAIN WIND FORCE RESISTING SYSTEM CAPABLE OF WITHSTANDING AND TRANSFERRING APPLIED PRODUCT LOADS TO THE FOUNDATION IS THE RESPONSIBILITY OF THE ENGINEER OR ARCHITECT OF RECORD FOR THE PROJECT OF INSTALLATION.
- 1X AND 2X BUCKS (WHEN USED) SHALL BE DESIGNED AND ANCHORED TO PROPERLY TRANSFER ALL LOADS TO THE STRUCTURE. BUCK DESIGN AND INSTALLATION IS THE RESPONSIBILITY OF THE ENGINEER OR ARCHITECT OF RECORD FOR THE PROJECT OF INSTALLATION.
- THE INSTALLATION DETAILS DESCRIBED HEREIN ARE GENERIC AND MAY NOT REFLECT ACTUAL CONDITIONS FOR A SPECIFIC SITE. IF SITE CONDITIONS CAUSE INSTALLATION TO DEVIATE FROM THE REQUIREMENTS DETAILED HEREIN, A LICENSED ENGINEER OR ARCHITECT SHALL PREPARE SITE SPECIFIC DOCUMENTS FOR USE WITH THIS DOCUMENT.
- APPROVED IMPACT PROTECTIVE SYSTEM **IS NOT REQUIRED** TO PROTECT THIS PRODUCT.
- DOOR FRAME MATERIAL: EXTRUDED ALUMINUM (6063-T5).
- GLASS MEETS THE REQUIREMENTS OF ASTM E1300 GLASS CHARTS. SEE SHEET 1 FOR GLAZING DETAILS.
- DISSIMILAR METALS INCLUDING FASTENERS THAT MAY COME INTO CONTACT WITH ALUMINUM COMPONENTS SHALL BE PROTECTED IN ACCORDANCE WITH THE FBC.

NOTE: WHEN INSTALLED AT A LOCATION PROTECTED BY AN OVERHANG SUCH THAT:
OVERHANG (OH) RATIO = OH LENGTH ÷ OH HEIGHT IS ≥ 1.0 ,
WATER INFILTRATION REQUIREMENT DOES NOT NEED TO BE MET

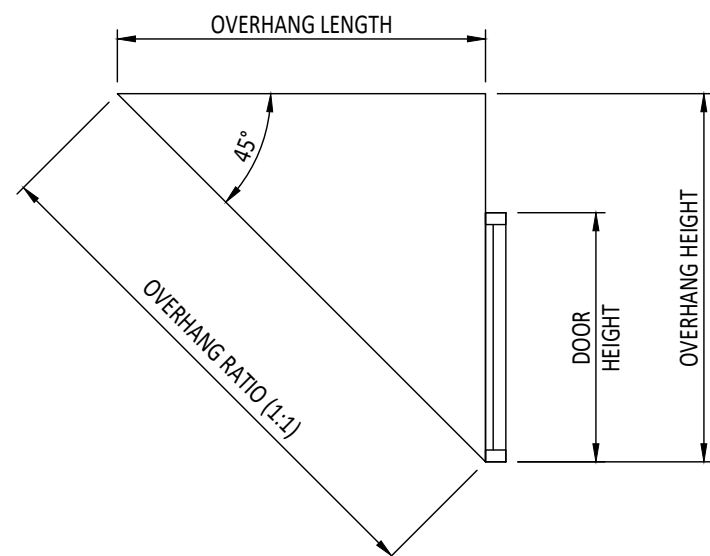
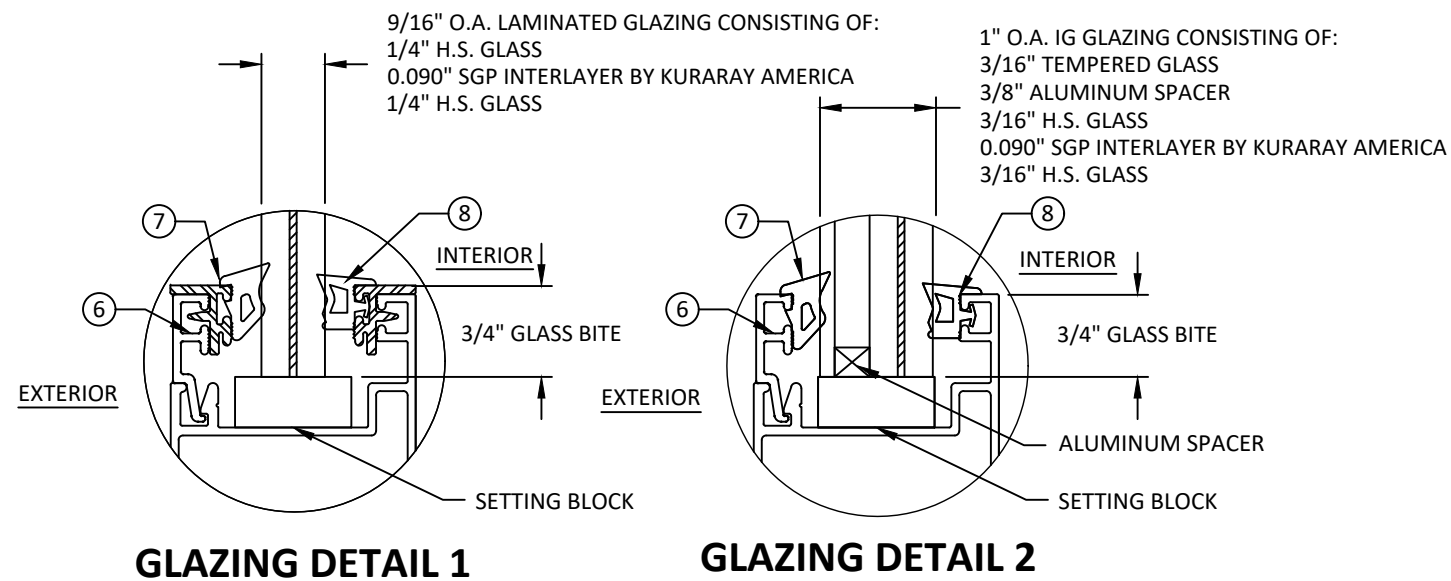


TABLE OF CONTENTS	
SHEET	SHEET DESCRIPTION
1	GENERAL NOTES & GLAZING DETAILS
2	ELEVATIONS & ANCHOR LAYOUT
3	DESIGN PRESSURE TABLES
4	VERTICAL SECTIONS
5	HORIZONTAL SECTIONS
6	INSTALLATION NOTES & ANCHOR TABLE
7	BILL OF MATERIALS & COMPONENTS

DESIGN PRESSURE RATING			
MAX. UNIT DIMENSIONS	DESIGN PRESSURE	MISSILE IMPACT RATING	WATER TEST PRESSURE
SEE SHEET 3	SEE SHEET 3	LMI & SMI	9 PSF



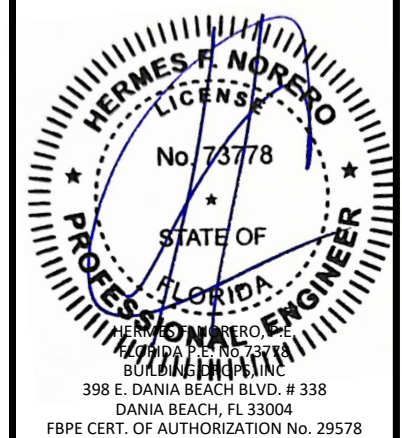
- GLAZING NOTES:**
- GLAZING SHALL COMPLY WITH ASTM E1300 AND FBC SAFETY GLAZING REQUIREMENTS.
 - SETTING BLOCK DUROMETER HARDNESS OF 70-90 (SHORE A) AS REFERENCED IN CHAPTER 24.
 - SETTING BLOCKS TO BE LOCATED AT 1/4 SPAN LENGTH FOR GLASS WIDER THAN 36" AS PER CHAPTER 24.
 - D.L.O. MAY NOT EXCEED MAX DIMENSIONS SHOWN ON ELEVATIONS.

TITLE: EURO-PIVOT INSWING AND OUTSWING DOOR (HVHZ) (IMPACT)
GENERAL NOTES & GLAZING DETAILS

PREPARED BY: **BUILDING DROPS, INC.**
398 E. DANIA BEACH BLVD., STE. 338
DANIA BEACH, FL 33004
PH: (954) 399-8478
FAX: (954) 744-4738
WEB: www.buildingdrops.com

REMARKS	BY	DATE
NEW TESTING	LL	4.4.21
MISC. UPDATE	OL	6.16.23
COMPANY NAME UPD.	SH	9.29.23

THE INSTALLATION DETAILS DESCRIBED HEREIN ARE GENERIC AND MAY NOT REFLECT ACTUAL CONDITIONS FOR A SPECIFIC SITE. IF SITE CONDITIONS CAUSE INSTALLATION TO DEVIATE FROM THE REQUIREMENTS DETAILED HEREIN, A LICENSED ENGINEER OR ARCHITECT SHALL PREPARE SITE SPECIFIC DOCUMENTS FOR USE WITH THIS DOCUMENT.



FL #: **FL22410**

DATE: **11.19.20**

DWG. BY: **YC** CHK. BY: **HFN**

SCALE: **NTS**

DWG. #: **EWS018**

SHEET: **1**
OF 7

TITLE: EURO-PIVOT INSWING AND OUTSWING DOOR (HVHZ) (IMPACT) ELEVATION AND ANCHOR LAYOUT

PREPARED BY: BUILDING DROPS, INC.
398 E. DANIA BEACH BLVD., STE. 338
DANIA BEACH, FL 33004
PH: (954) 959-8478
FAX: (954) 744-4738
WEB: www.buildingdrops.com



REMARKS	BY	DATE
NEW TESTING	LL	4.4.21
MISC. UPDATE	OL	6.16.23
COMPANY NAME UPD.	SH	9.29.23

THE INSTALLATION DETAILS DESCRIBED HEREIN ARE GENERIC AND MAY NOT REFLECT ACTUAL CONDITIONS FOR A SPECIFIC SITE. IF SITE CONDITIONS CAUSE INSTALLATION TO DEVIATE FROM THE REQUIREMENTS DETAILED HEREIN, A LICENSED ENGINEER OR ARCHITECT SHALL PREPARE SITE SPECIFIC DOCUMENTS FOR USE WITH THIS DOCUMENT.

HERMES F. NORERO
LICENSE
No. 73778
STATE OF
FLORIDA
PROFESSIONAL ENGINEER
HERMES F. NORERO, P.E.
FLORIDA P.E. No. 73778
BUILDING DROPS, INC.
398 E. DANIA BEACH BLVD. # 338
DANIA BEACH, FL 33004
FBPE CERT. OF AUTHORIZATION No. 29578

FL #: **FL22410**

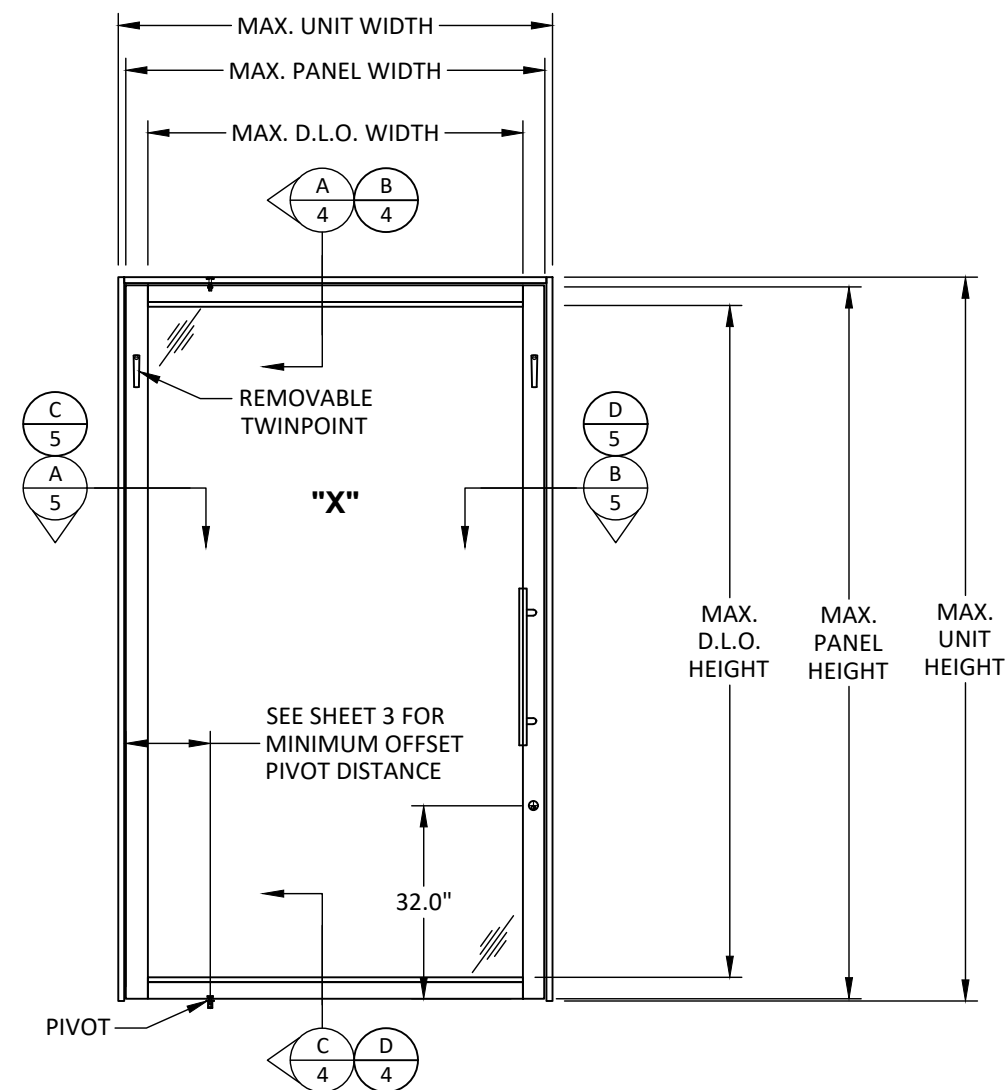
DATE: **11.19.20**

DWG. BY: **YC** | CHK. BY: **HFN**

SCALE: **NTS**

DWG. #: **EWS018**

SHEET: **2**



TYPICAL ELEVATION
PIVOT DOOR

SIZE NOTES:

UNIT SIZES SHOWN IN TABLE.

PANEL SIZES ARE AS FOLLOWS:

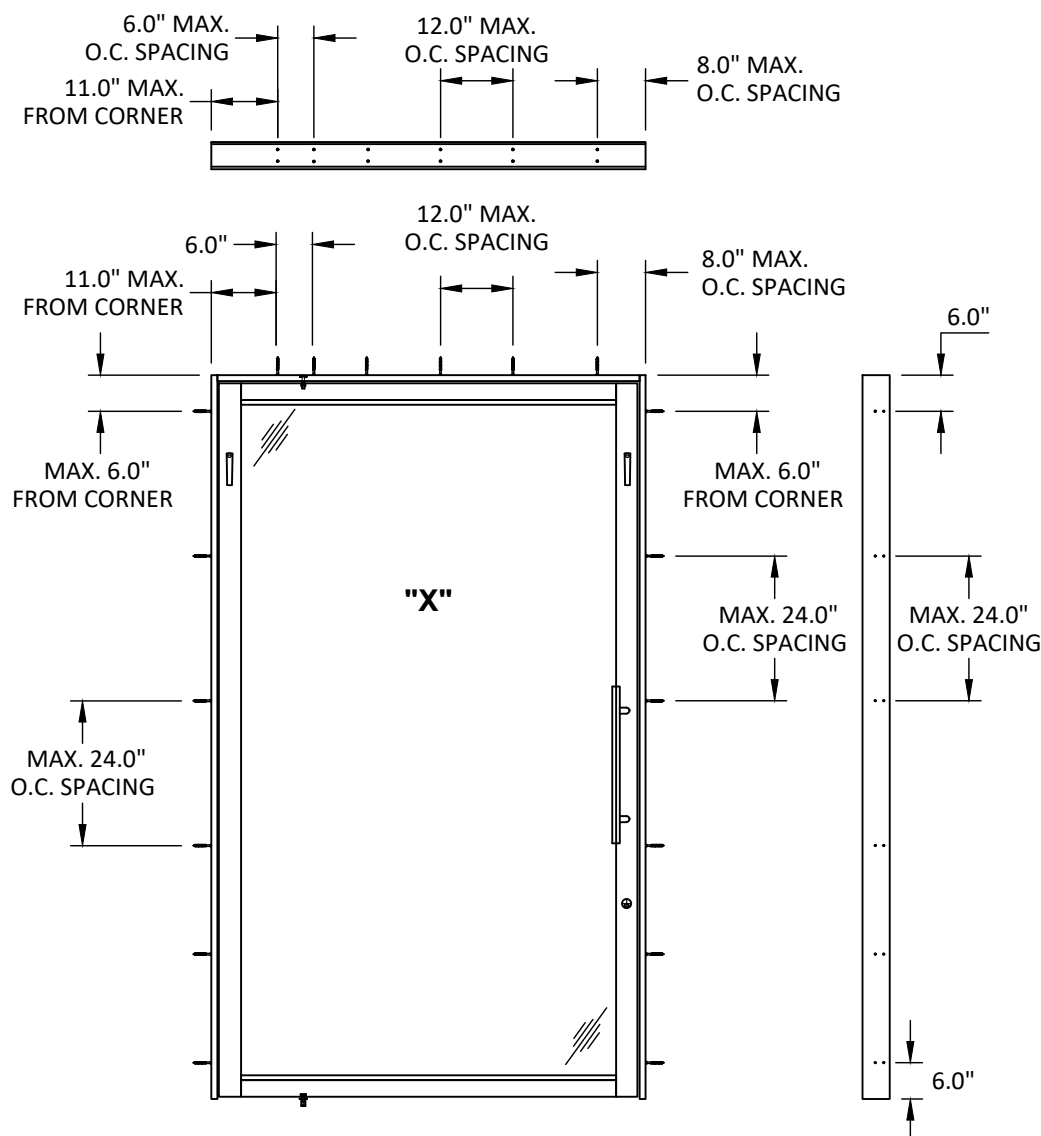
PANEL WIDTH = UNIT WIDTH - 2.5625"

PANEL HEIGHT = UNIT HEIGHT - 1.75"

D.L.O. SIZES ARE AS FOLLOWS:

D.L.O. WIDTH = UNIT WIDTH - 9.75"

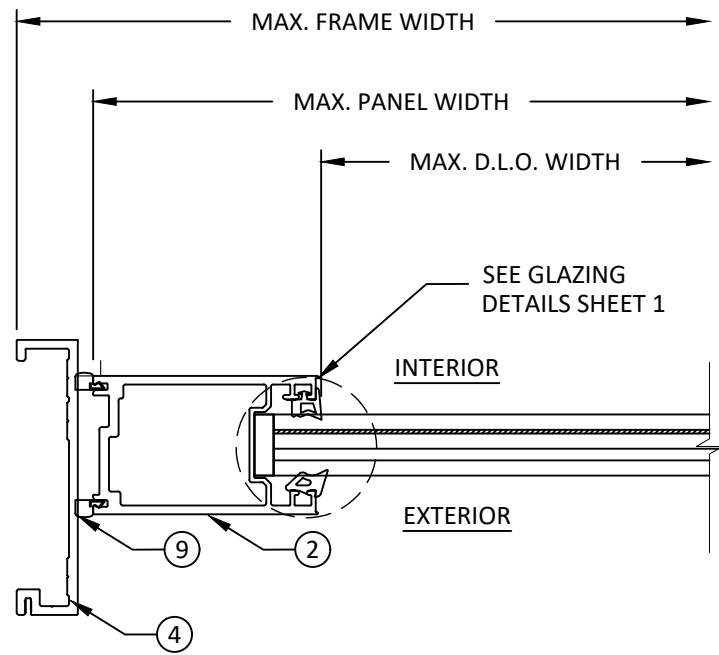
D.L.O. HEIGHT = UNIT HEIGHT - 8.84"



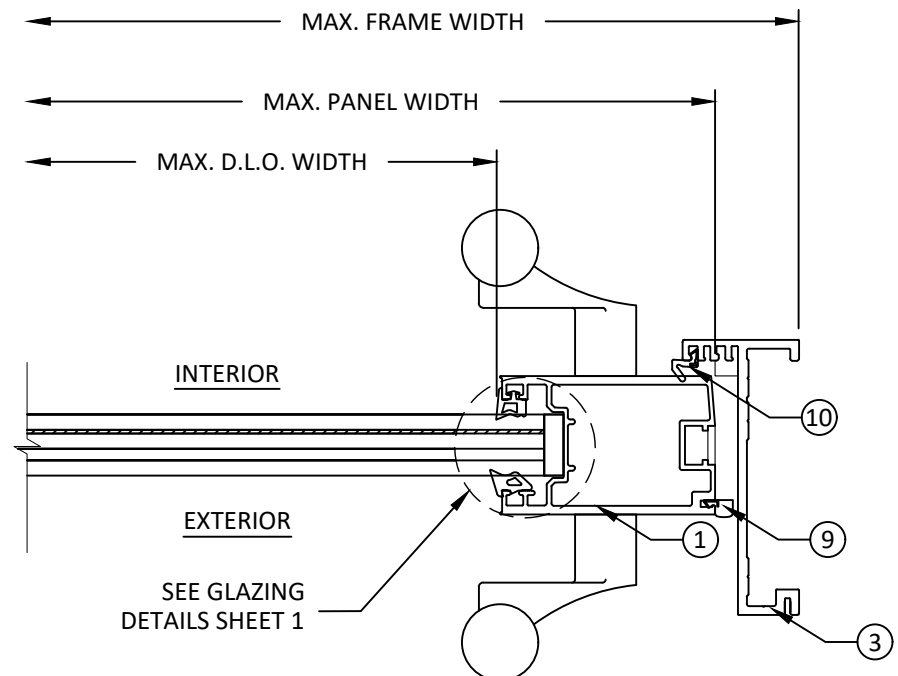
ANCHOR LAYOUT
PIVOT DOOR

NOTE:
TWIN-POINT & MULTI-POINT LOCKING MECHANISM INTERCHANGEABLE BETWEEN ALL SIZES AND DESIGN PRESSURES.

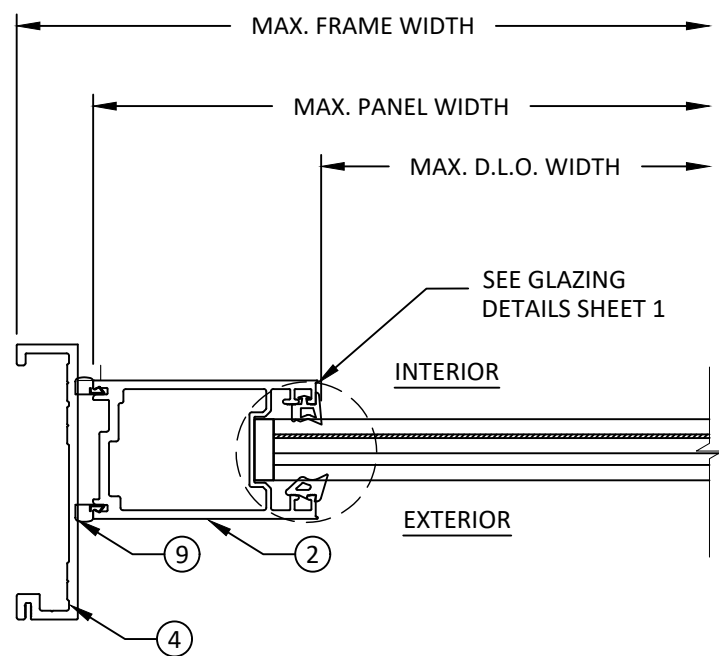
s:\projects\eurowall-systems\bc-23-0818 - fbc submittal - fbc submittal - ew holdings of florida llc name change\dwg\122410\ews018.dwg 9/29/2023 1:43 PM



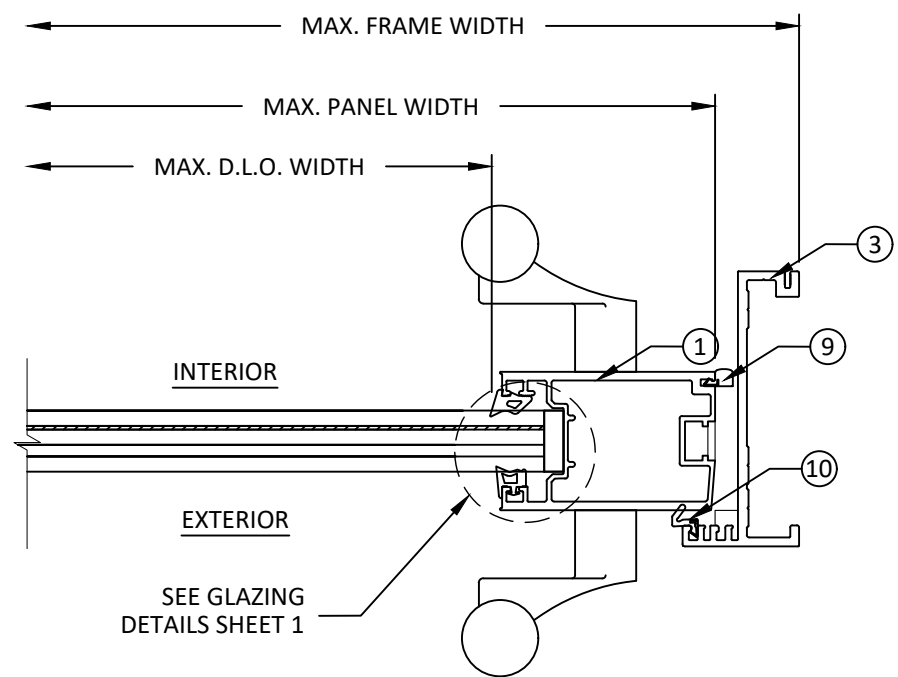
A
5 HORIZONTAL SECTION
OUTSWING DOOR



B
5 HORIZONTAL SECTION
OUTSWING DOOR



C
5 HORIZONTAL SECTION
INSWING DOOR



D
5 HORIZONTAL SECTION
INSWING DOOR

TITLE: EURO-PIVOT INSWING AND OUTSWING DOOR (HVHZ) (IMPACT) HORIZONTAL SECTIONS

PREPARED BY: BUILDING DROPS, INC.
398 E. DANIA BEACH BLVD., STE. 338
DANIA BEACH, FL 33004
PH: (954) 999-8478
FAX: (954) 744-4738
WEB: www.buildingdrops.com



REMARKS	BY	DATE
NEW TESTING	LL	4.4.21
MISC. UPDATE	OL	6.16.23
COMPANY NAME UPD.	SH	9.29.23

THE INSTALLATION DETAILS DESCRIBED HEREIN ARE GENERIC AND MAY NOT REFLECT ACTUAL CONDITIONS FOR A SPECIFIC SITE. IF SITE CONDITIONS CAUSE INSTALLATION TO DEVIATE FROM THE REQUIREMENTS DETAILED HEREIN, A LICENSED ENGINEER OR ARCHITECT SHALL PREPARE SITE SPECIFIC DOCUMENTS FOR USE WITH THIS DOCUMENT.

HERMES F. NORERO, P.E.
FLORIDA P.E. No. 73778
BUILDING DROPS, INC.
398 E. DANIA BEACH BLVD. # 338
DANIA BEACH, FL 33004
FBPE CERT. OF AUTHORIZATION No. 29578

FL #: **FL22410**

DATE: **11.19.20**

DWG. BY: YC	CHK. BY: HFN
-----------------------	------------------------

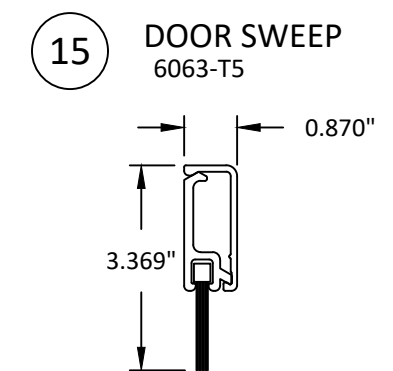
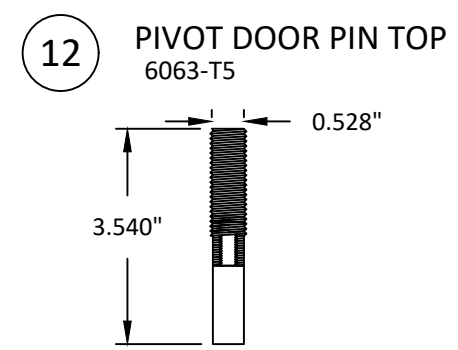
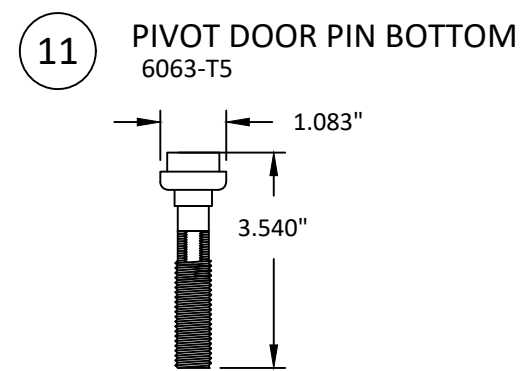
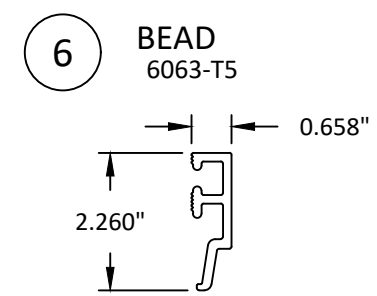
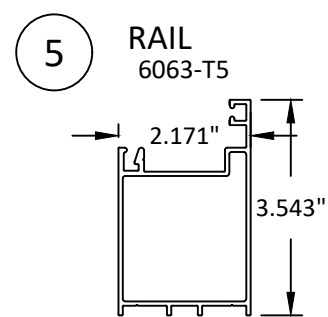
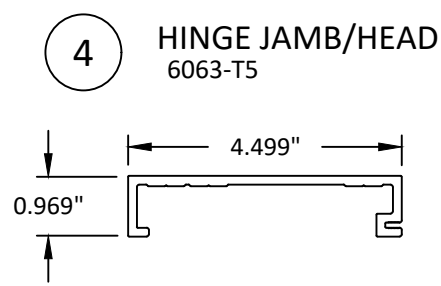
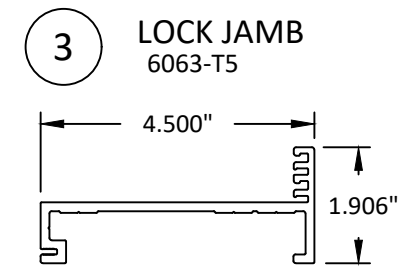
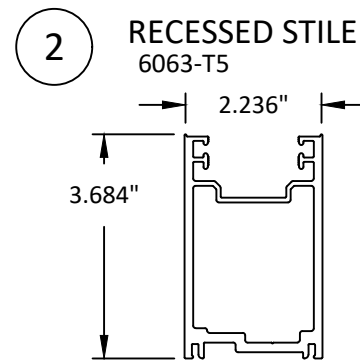
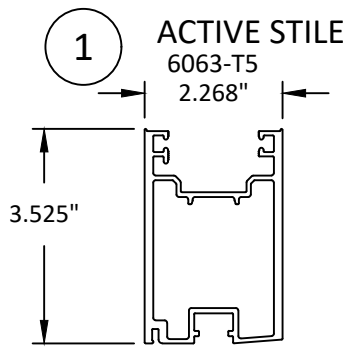
SCALE: **NTS**

DWG. #: **EWS018**

SHEET:

s:\projects\euro-wall systems\fbcs-23-0818 - fbc submittal - fbc submittal - ew holdings of florida llc name change\dwgs\fbcs22410\ews018.dwg
 9/29/2023 1:43 PM

BILL OF MATERIALS			
NO	PART #	DESCRIPTION	MATERIAL
1	E0027-A C3	ACTIVE STILE	6063-T5
2	E0036-A C3	RECESSED STILE	6063-T5
3	E0033-A C3	LOCK JAMB	6063-T5
4	E0045-A PV	HINGE JAMB/HEAD	6063-T5
5	E0035-A C3	RAIL	6063-T5
6	E0010-A C3	BEAD	6063-T5
7	C0057-A	GLAZING-PIVOT 7/8"	6063-T5
8	C0058-A	BEDDING-PIVOT	6063-T5
9	C0112-A	BIG P WEATHER STRIPPING-PANEL	URETHANE
10	C0114-A	FRAME WEATHER STRIPPING	URETHANE
11	C0038-A	PIVOT DOOR PIN BOTTOM	SS
12	C0039-A	PIVOT DOOR PIN TOP	SS
13	C0062-A	TWIN POINT HANDLE SHORT	STEEL ASSY
14	C0064-A	MULTIPOINT HANDLE	STEEL ASSY
15	C0053-A	DOOR SWEEP	NYLON
16	E0062-A	C3 REDUCER BAR .25in	6063-T5
17	E0063-A	C3 REDUCER BAR 9/16	6063-T5
18	THUMB TURN	THUMB TURN	STEEL
19	E0031-A	CORNER KEY	6063-T5
20	PULL BAR	PULL BAR	ALLOY



euro-wall
SUPERIOR BY DESIGN

EURO-WALL, LLC
P.O. BOX 8007
NORTH PORT, FL 34290
PH: 888-989-3876

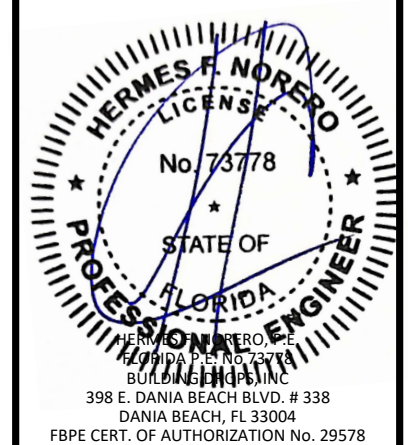
TITLE: EURO-PIVOT INSWING AND OUTSWING DOOR (HVHZ) (IMPACT) BILL OF MATERIALS

PREPARED BY: **BUILDING DROPS, INC.**
398 E. DANIA BEACH BLVD., STE. 338
DANIA BEACH, FL 33004
PH: (954)399-8478
FAX: (954)744-4738
WEB: www.buildingdrops.com



REMARKS	BY	DATE
NEW TESTING	LL	4.4.21
MISC. UPDATE	OL	6.16.23
COMPANY NAME UPD.	SH	9.29.23

THE INSTALLATION DETAILS DESCRIBED HEREIN ARE GENERIC AND MAY NOT REFLECT ACTUAL CONDITIONS FOR A SPECIFIC SITE. IF SITE CONDITIONS CAUSE INSTALLATION TO DEVIATE FROM THE REQUIREMENTS DETAILED HEREIN, A LICENSED ENGINEER OR ARCHITECT SHALL PREPARE SITE SPECIFIC DOCUMENTS FOR USE WITH THIS DOCUMENT.



FL #:	FL22410
DATE:	11.19.20
DWG. BY:	YC
CHK. BY:	HFN
SCALE:	NTS
DWG. #:	EWS018

SHEET: **7**
OF 7